



A member of the
Avery Weigh-Tronix Group

Model 664 Pharmacy Counting Scale



- Rx Validation
- Prescription Counting
- Compounding
- Legal-for-Trade
- Network Compatible

Model 664 is an intelligent prescription counting solution

In retail pharmaceutical environments, accurate prescription validation is imperative and speed is crucial. The NTEP certified, legal-for-trade Model 664 prescription counting scale was specifically designed to meet the demanding needs of prescription filling.

The flexible Model 664 can be programmed to accommodate virtually any application requirement resulting in a cost-effective, prescription filling and validation solution for individual pharmacies or chain drug store networks.



Model 664 features

- **Network Compatible** – An Ethernet port allows for communication, via an intranet or Internet connection, from the scale to a central drug database for retrieval of NDC data, average pill weight data, or any custom data required.
- **System Integration** – Operation can be completely customized to interface with existing workflow process software – from communications to displayed information.
- **Prescription Validation** – Protect patients by validating that medication, dosage and quantity dispensed are correct. Both prescription label and stock bottle label NDC identifiers must match before a prescription can be counted and filled.
- **Compounding** – Accurately weighs ingredients with a displayed resolution of 0.001 grams (1 mg).
- **Inventory Control** – Standard counting features permit quick and easy cycle counting of inventory. Customized scale programs can be written to accommodate full physical inventory or cycle counting requirements.
- **Legal for Trade** – Class II certified. Prescription counting approved.
- Includes two pill boats and calibration weight.



Rx validation is as easy as 1, 2, 3

Model 664 features a powerful Rx validation system to ensure patient safety for every script.

Performing a validation only takes seconds and is as easy as 1, 2, 3.



Step 1: Scan

Prescription label is scanned using bar code scanner attached to scale. A successful scan will display name of drug to be dispensed, its NDC code, and dosage strength on LCD backlit, graphical display.



Step 2: Validate

When stock bottle is scanned, NDC code is verified against prescription to validate correct stock bottle was selected. If prescription and stock bottle labels match, the scale will permit prescription to be filled. If labels do not match, the scale displays message that incorrect stock bottle was selected.



Step 3: Count

Upon prescription validation, Model 664 displays quantity of drug dispensed. A networked Model 664 can be programmed to send validation data to host computer.

Benefits

- Handheld Bar Code Scanner for scanning prescription bar codes. Convenient gooseneck attached to scale holds scanner for flexible hands free or ergonomic, handheld operation.
- On-board database stores 10,000+ unique drug references; including drug name, average piece weight and NDC code. Pharmacists can easily add or delete drugs from database.
- GSE Application Engineers are available to assist with integration of scale into pharmacy management systems or networks.

SPECIFICATIONS

PERFORMANCE

- **Local Platform Capacities:** 310 x 0.001g or 310 x 0.01g
- **Displayed Resolution:** 310,000 divisions
- **Count Update Speed:** Two (2) times per second
- **Warranty:** Two (2) year limited

ELECTRICAL

- **Power Requirement:** 120 VAC, 60 Hz wall transformer included

COMMUNICATION

- **Protocols:** Telnet, FTP, Ethernet, RS232
- **Bar Code Scanner Port:** RS232 Full Duplex, Bidirectional, 150 - 38.4K bps
- **10/100 Ethernet Port:** IP addressable; programmable data exchange with host

PHYSICAL

- **Keypad:** Tactile membrane, 19 keys with alphanumeric keypad
- **Housing:** Plastic injection molded ABS
- **Weighing Surface:** 4.5" diameter stainless steel platter
- **Display:** 8 line x 40 character, LCD backlit display
- **Footprint:** Dimensions 9.6"W x 13.0"L

PROGRAMMABILITY

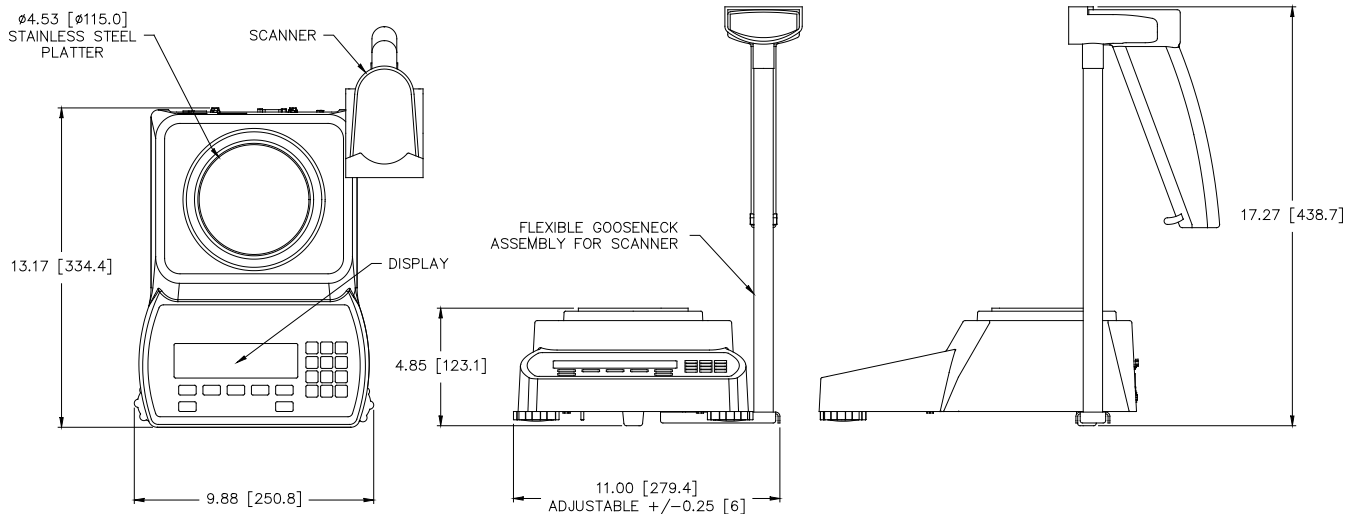
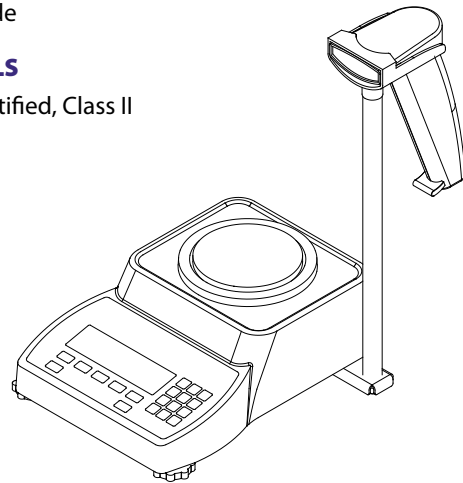
- **C Programming Language:** Programmable to application specifications with C programming language. GSE provided software and hardware tools for C programmers.
- **Macro Programming Language:** Programmable to application specifications with proprietary language. GSE provided software tools for facilitating programming.

ACCESSORIES

- **Included Standard:**
 - 200 g Calibration Weight
 - Pill Boats : 1 Qty. White, 1 Qty. Yellow
 - User Guide

APPROVALS

- NTEP Certified, Class II



Avery Weigh-Tronix

Avery Weigh-Tronix - USA
1000 Armstrong Drive
Fairmont, MN 56031- 1439 USA
usinfo@awtxglobal.com
Toll-Free: (800) 533-0456
Phone: (507) 238-4461

Avery Weigh-Tronix - UK
Foundry Lane, Smethwick
West Midlands B66 2LP UK
info@awtxglobal.com
Phone: +44 (0) 8453 66 77 88
Fax: +44 (0) 121 224 8183



Please call us or visit
www.eyeconvpc.com



© Avery Weigh-Tronix, LLC 2009. All rights reserved. This publication is issued to provide outline information only which, unless agreed by Avery Weigh-Tronix, LLC in writing, may not be regarded as a representation relating to the products or services concerned. Avery Weigh-Tronix, LLC reserves the right to alter without notice the specification, design, price or conditions of supply of any product or service.

9/09 664_L_500470.indd (C&D)
AWT35-500470