

308BP Series

Electronic Balance



- ◆ **Versatile Application**– Tough, high capacity design for industrial, laboratory and classroom application.
- ◆ **Standard Features**– 1:30,000 resolution, large high contrast LCD display and digital calibration.
- ◆ **High Internal Resolution**– 1:500,000 internal resolution for greater sensitivity.
- ◆ **Weighing Modes**– Includes kg, lb, oz, ozt, dwt, parts counting, memory accumulator and custom unit of measure.

VALUE IN
WEIGHING



308BP Series Electronic Balance

Features

Durable Construction— All steel frame, stainless steel /ABS weight platter, ABS case and non-skid hard rubber feet.

Color Coded 8-key Tactile Keypad— 8-key membrane panel allows push button tare, variable sample sizes, Zero and Units toggle key.

Annunciators— Low Battery, Center Zero, Stable, Memory Recall, Memory Add, APW, ozt, pieces, kg, lb, %, carat, custom unit.

Accumulator Function— Capable of storing and accumulating either pieces or weight, and display the total.

Units of Measure— kg / lb / ozt / ct / Custom Units.

Standard Built in Battery— Equipped with a NP3-6 (3AH) 6-volt lead acid battery giving a continuous operation time of 32 hours before requiring a charge. Recharge time is 12 hours.

Specifications

Display— 6-digit, 7-segment, LCD (Liquid Crystal Display).

Counting Capacity— 999,999.

Weighing Resolution— 1 part in 30,000.

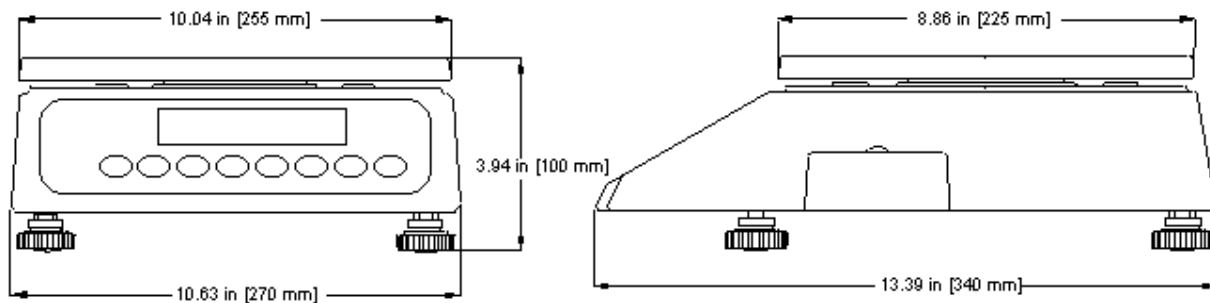
Set-up and Calibration— All parameters are keyboard accessible for easy installation.

Power Requirements— AC adapter, 9 VDC, 800mA included.

Operating Temperature— 0° C to 40° C, 32° F to 104° F

Shipping Weight— 17 lbs.

Model	Capacity x Resolution			Platform Size	
308BP-6000 g	6000 g x 0.2 g	13 lb x 0.001 lb	30000 ct x 2 ct	193 ozt x 0.01 ozt	8.86 " x 10"
308BP-15 kg	15 kg x 0.0005 kg	33 lb x 0.002 lb	75000 ct x 5 ct	482 ozt x 0.02 ozt	8.86 " x 10"
308BP-30 kg	30 kg x 0.001 kg	66 lb x 0.005 lb	150000 ct x 5 ct	964 ozt x 0.05 ozt	8.86 " x 10"



Salter Brecknell Weighing Products

a division of Avery Weigh-Tronix
1000 Armstrong Dr.

Fairmont, MN 56031

Toll free: 800-637-0529

Tel: 507-238-8702 Fax: 507-238-8271

e-mail: sales@salterbrecknell.com

www.salterbrecknell.com

